

345164-1 ✓ ACTIVE

AMP | Multilock Connector System

TE Internal #: 345164-1

Automotive Terminals, Tab, Mating Tab Width .039 in [1 mm], Tab Thickness .025 in [.64 mm], 24 – 20 AWG Wire Size, Multilock Connector System

[View on TE.com >](#)



Terminals & Splices > Automotive Terminals > MULTILOCK, RECEPTACLE AND TAB



Terminal Type: **Tab**

Mating Tab Width: **1 mm [.039 in]**

Mating Tab Thickness: **.64 mm [.025 in]**

Terminal Transmits: **0 – 24 A (Low Power)**

Wire Size: **24 – 20 AWG**

[All MULTILOCK, RECEPTACLE AND TAB \(142\)](#)

Features

Product Type Features

| | |
|-------------------------|------------|
| Sealable | No |
| Primary Locking Feature | Clean Body |

Contact Features

| | |
|------------------------|------------------|
| Contact Size | 1mm |
| Contact Fabrication | Stamped & Formed |
| Typical Current Rating | 7 A |
| Crimp Type | F-Crimp |
| Terminal Type | Tab |
| Mating Tab Width | 1 mm[.039 in] |
| Mating Tab Thickness | .64 mm[.025 in] |
| Interface Plating | Tin (Sn) |

Termination Features

| | |
|------------------------------------|-------|
| Termination Method to Wire & Cable | Crimp |
| Product Terminates To | Wire |

Dimensions

| | |
|-----------|-------------------------|
| Wire Size | .2 – .5 mm ² |
|-----------|-------------------------|



| | |
|------------------|--|
| Wire Size Search | 20 AWG, 21 AWG, 22 AWG, 23 AWG, 24 AWG |
|------------------|--|

| | |
|--------------------------|-----------------------------|
| Wire Insulation Diameter | 1.2 – 2 mm [.047 – .079 in] |
|--------------------------|-----------------------------|

Usage Conditions

| | |
|-------------------|-------------|
| Insulation Option | Uninsulated |
|-------------------|-------------|

Operation/Application

| | |
|------------------------------------|--------|
| Compatible With Wire Base Material | Copper |
|------------------------------------|--------|

Packaging Features

| | |
|------------------|------|
| Packaging Method | Reel |
|------------------|------|

| | |
|--------------------|------|
| Packaging Quantity | 5000 |
|--------------------|------|

Other

| | |
|--------------------|----------------------|
| Terminal Transmits | 0 – 24 A (Low Power) |
|--------------------|----------------------|

Product Compliance

For compliance documentation, visit the product page on [TE.com](https://www.te.com)>

| | |
|------------------------------|-----------|
| EU RoHS Directive 2011/65/EU | Compliant |
|------------------------------|-----------|

| | |
|-----------------------------|-----------|
| EU ELV Directive 2000/53/EC | Compliant |
|-----------------------------|-----------|

| | |
|---|---|
| China RoHS 2 Directive MIIT Order No 32, 2016 | No Restricted Materials Above Threshold |
|---|---|

| | |
|--|---|
| EU REACH Regulation (EC) No. 1907/2006 | Current ECHA Candidate List: JUNE 2022 (224) Candidate List Declared Against: JUNE 2022 (224) Does not contain REACH SVHC |
|--|---|

| | |
|-----------------|---|
| Halogen Content | Low Halogen - Br, Cl, F, I < 900 ppm per homogenous material. Also BFR/CFR/PVC Free |
|-----------------|---|

| | |
|---------------------------|--|
| Solder Process Capability | Not applicable for solder process capability |
|---------------------------|--|

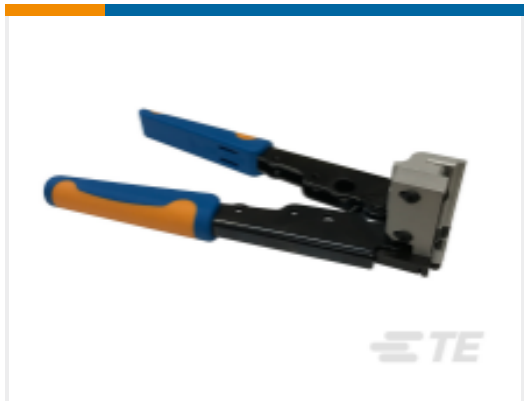
Product Compliance Disclaimer

This information is provided based on reasonable inquiry of our suppliers and represents our current actual knowledge based on the information they provided. This information is subject to change. The part numbers that TE has identified as EU RoHS compliant have a maximum concentration of 0.1% by weight in homogenous materials for lead, hexavalent chromium, mercury, PBB, PBDE, DBP, BBP, DEHP, DIBP, and 0.01% for cadmium, or qualify for an exemption to these limits as defined in the Annexes of Directive 2011/65/EU (RoHS2). Finished electrical and electronic equipment products will be CE marked as required by Directive 2011/65/EU. Components may not be CE marked. Additionally, the part numbers that TE has identified as EU ELV compliant have a maximum concentration of 0.1% by weight in homogenous materials for lead, hexavalent chromium, and mercury, and 0.01% for cadmium, or qualify for an exemption to these limits as defined in the Annexes of Directive 2000/53/EC (ELV). Regarding the REACH Regulation, the information TE provides on SVHC in articles for this part number is based on the latest European Chemicals Agency (ECHA) 'Guidance on requirements for substances in articles' posted at this URL: <https://echa.europa.eu/guidance-documents/guidance-on-reach>

Compatible Parts



TE Part # CAT-M9194-CH8172
MULTILOCK, CONNECTOR HOUSING



TE Part # 2305570-1
Strip Terminal Cutter-Side Feed-No Crimp



TE Part # 755430-1
EXT TOOL FOR DOUBLE LOOK



TE Part # 58522-1
PRO-CRMPR II TOOL & DIE



TE Part # 58522-2
PRO-CRMPR II DIE



TE Part # 91577-1
CCII 040 SERIES REC TAB 22-20 ASSY



TE Part # 2-2151271-1
OCEAN-2.0-APPLICATOR-S-062F070BX



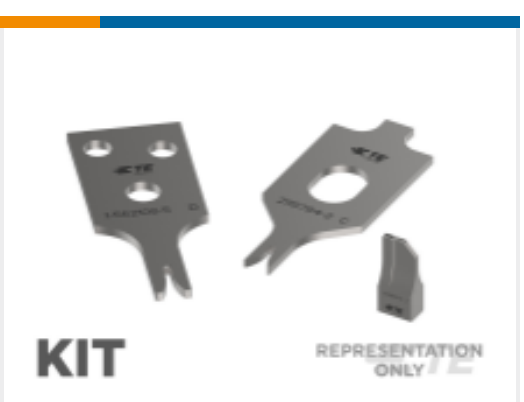
TE Part # 2-2151271-2
OCEAN-2.0-APPLICATOR-S-062F070BX



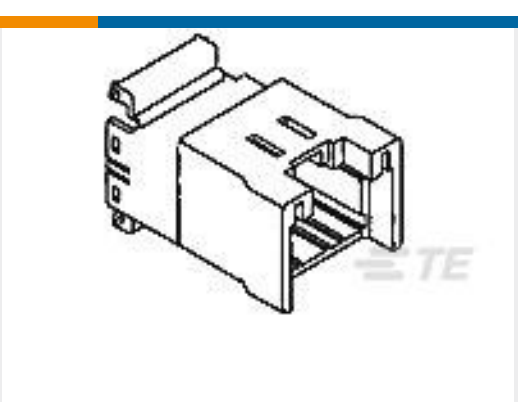
TE Part # 2151271-1
OCEAN-2.0-APPLICATOR-S-062F070BX



TE Part # 2151271-2
OCEAN-2.0-APPLICATOR-S-062F070BX



TE Part # 7-2151271-7
OCEAN_2.0_SPARE_PART_KIT-062F070BX



TE Part # 174058-4
040 MLC CAP HSG 12P GREEN

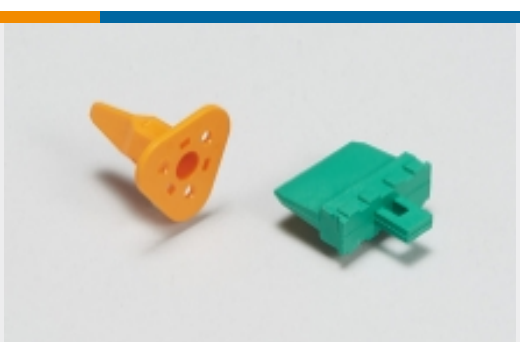
Also in the Series | Multilock Connector System



Automotive Connector Caps & Covers (16)



Automotive Connector EMC Shielding (1)



Automotive Connector Locks & Position Assurance(2)



Automotive Housings(572)



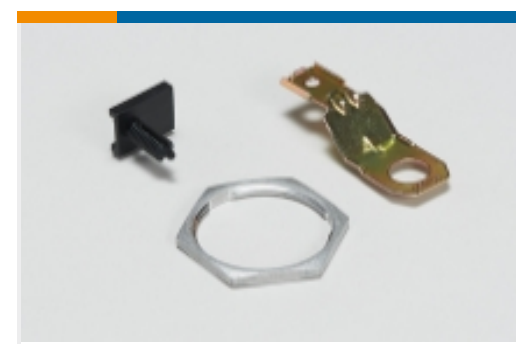
Automotive Seals & Cavity Plugs(2)



Automotive Terminals(140)



Insertion & Extraction Tools(6)



Other Automotive Connector Accessories(9)



PCB Headers & Receptacles(127)

Documents

Product Drawings

040 SERIES TAB

English

CAD Files

Customer View Model

[ENG_CVM_345164-1_C.3d_igs.zip](#)

English

Customer View Model

[ENG_CVM_345164-1_C.3d_stp.zip](#)

English

Customer View Model

[ENG_CVM_345164-1_C.2d_dxf.zip](#)

English

3D PDF

English

By downloading the CAD file I accept and agree to the [Terms and Conditions](#) of use.

Datasheets & Catalog Pages

MULTILOCK Connector System

English

Product Specifications

Crimping .040 Series Tab Contact

English

Application Specification

English

345164-1

Automotive Terminals, Tab, Mating Tab Width .039 in [1 mm], Tab Thickness .025 in [.64 mm], 24 – 20 AWG Wire Size, Multilock Connector System

